

## STAINLESS STEEL WAFER TYPE BUTTERFLY VALVE

### SPECIFICATION

SUITABLE TO BS EN 1092-2 (BS4504) PN10/PN16 ·  
ANSI B16.1 · JIS10K  
FACE-TO-FACE DIMENSION TO ISO 5752 / BS 5155 / BS EN 593  
LEVER / WORM GEAR OPERATOR

### PRESSURE / TEMPERATURE RATINGS

Working Pressure	10 bar (PTFE seat) 16 bar (EPDM / NBR / VITON seat)
Testing Pressure	Shell: 1.5 times Seat: 1.1 times
Working Temperature	-20°C to 120°C (EPDM Seat) -10°C to 80°C (NBR Seat) 20°C to 105°C (PTFE seat) 0°C to 200°C (VITON seat)
Suitable Media	Water & Oil

### MATERIALS

Part	Material	BS EN *
Body	Stainless Steel 304 Stainless Steel 316	10283 GX5CrNi19-10 10283 GX5CrNiMo19-11-2
Disc	Stainless Steel 304 Stainless Steel 316	10283 GX5CrNi19-10 10283 GX5CrNiMo19-11-2
Seat Ring	EPDM NBR PTFE VITON	
Shaft	Stainless Steel 420 Stainless Steel 431	10088-3 X20Cr13 10088-3 X17CrNi16-2
O-Ring	NBR	
Bushing	Resin	

\*: Indicates the corresponding equivalent standard material for BS EN.

### DIMENSIONS

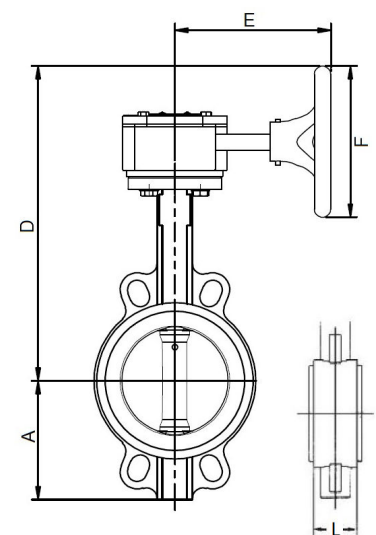
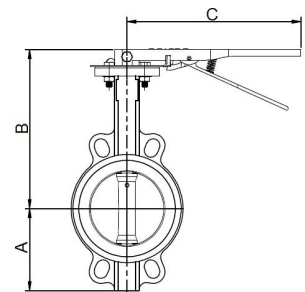
Unit: mm

Size	L	A	B	C	D	E	F
50	43	70	157	248	238	150	145
65	46	76	167	248	248	150	145
80	46	94	173	248	254	150	145
100	52	106	194	248	272	150	145
125	56	118	225	248	300	150	145
150	56	139	239	248	314	150	145
200	60	165	281	375	424	205	280
250	68	203	328	375	471	205	280
300	78	241	353	375	496	205	280
350	78	270	-	-	558	205	280

**SBFV-W**

**PN16**

DN50~DN350



## STAINLESS STEEL WAFER TYPE BUTTERFLY VALVE

### SPECIFICATION

SUITABLE TO BS EN 1092-2 (BS4504) PN10/PN16 ·  
ANSI B16.1 · JIS10K  
FACE-TO-FACE DIMENSION TO ISO 5752 / BS 5155 / BS EN 593  
DOUBLE-STAGE WORM GEAR OPERATOR

### PRESSURE / TEMPERATURE RATINGS

Working Pressure	10 bar (PTFE seat) 16 bar (EPDM / NBR / VITON seat)
Testing Pressure	Shell: 1.5 times Seat: 1.1 times
Working Temperature	-20°C to 120°C (EPDM Seat) -10°C to 80°C (NBR Seat) 5°C to 120°C (PTFE seat) 0°C to 200°C (VITON seat)
Suitable Media	Water & Oil

### DIMENSIONS

Unit: mm

Size	L	A	D	E	F
400	102	307	676	251	280
450	114	336	702	251	280
500	127	373	733	251	280
600	154	429	877	300	385

Note:

1. Actuator mounting flange conforms to ISO 5211 drilling.
2. The butterfly valve can be supplied with electric actuator.
3. Micro switch / limit switch box is available upon request.
4. Others flange standard available upon request.
5. Design and specifications are subject to change without prior notice
6. Please consult us for your specific application.

**SBFV-W**

**PN16**

DN400~DN600

